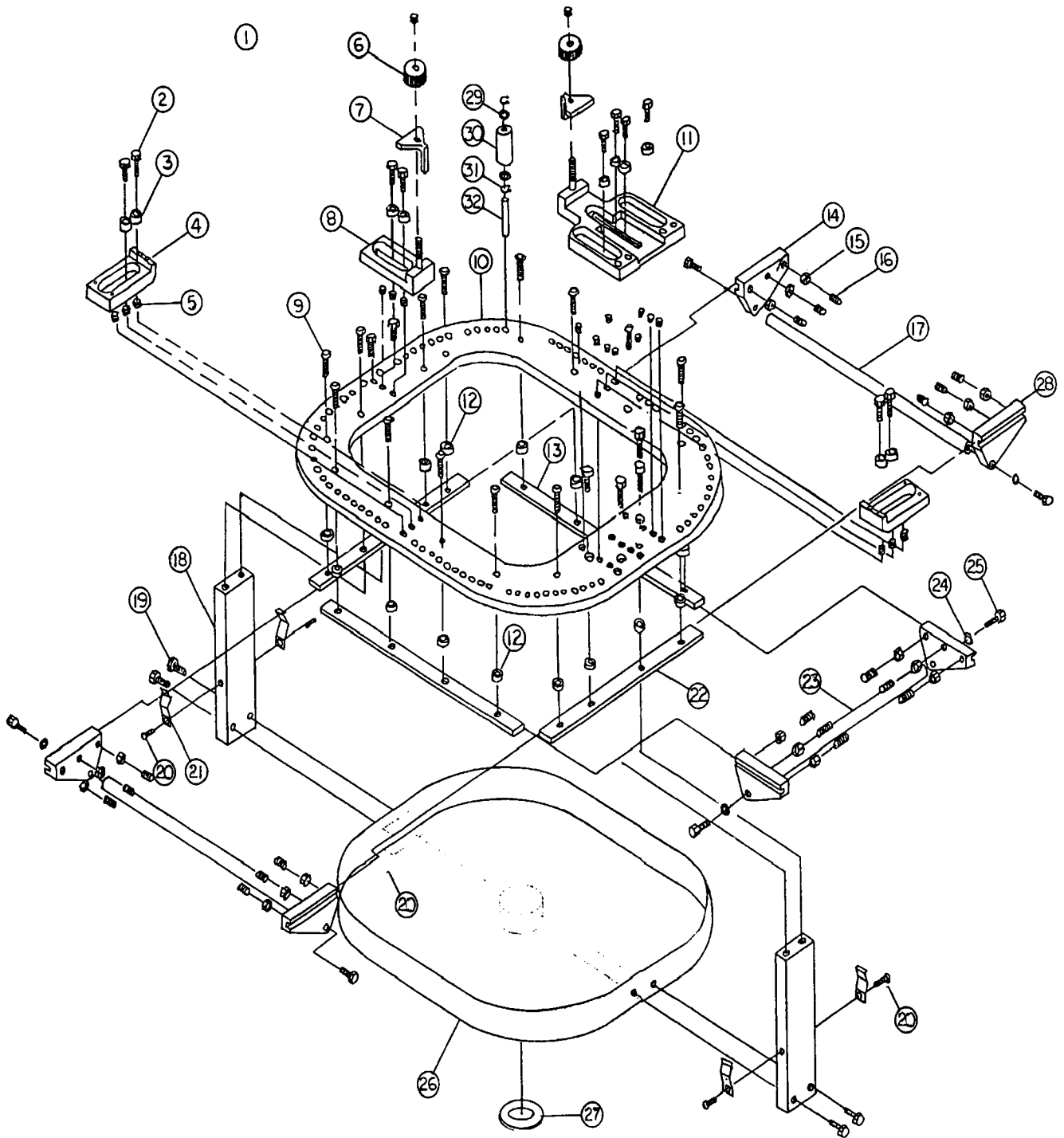


# True-Tension Stringing Machine

## Turret Assembly

Part Number 10040

- Exploded View -



As of: March 25, 2004

## Turret Assembly Parts List

<u>I D:</u>	<u>P/N:</u>	<u>Item Description:</u>
1	10040	Turret Assembly
2	60010	Bolt, HHCS, 1/4-20 x 3/4
3	10004	Washers, Racket Support
4	10002	Support, Side (Normal Heavy Version as Shown)
4	10037	Support, Side (New Light Weight Version)
5	65000	Heli-coil (21 Total)
6	10023	Knob, Hold Down/Racket Clamp
7	10022	Racket Clamp Assembly
8	10003	Support, Top
9	60006	Bolt, HHCS, 1/4-20 x 1
10	10000	Main Support Plate
11	10001	Support, Throat
12	20019	Bushing, Rail Spacer Pivot
13	10006	Glide Bar Rail, Long (Current Machines)
14	10014	Glide Bar Bracket, Left
15	61006	Hex Jam Nut, 10-32
16	60020	Set Screw, 10-32 x 7/16 Dog Point
17	10011	Glide Bar Rod, Long (Current Machines)
18	10008	Support, Upright
19	60017	Bolt, 1/4-20 x 1, HHCS
20	20206	Screw, 8-32 x 1/4 BHCS
21	10015	Clip Spring, String Minder
22	-	Glide Bar Rail, Short (Early Machines)
23	-	Glide Bar Rod, Short (Early Machines)
24	62005	Washer, 1/4" ID
25	60030	Bolt, 1/2-28x 1, HHCS
26	10031	Tool Tray, Plastic, with Green Felt (Current Machines)
27	62004	Washer, Turret Base 1.0" ID x 2.0" OD x 0.125" Thick
28	10013	Glide Bar Bracket, Right
29	-	Washer, Thin Flat, 1/2" OD x 1/4" ID x 0.025" Thick
30	10018	Roller, String Guide
31	66003	Retaining Ring, 1/4", External
32	10021	Axle Shaft, String Guide
-	10016	Tool Tray Support
-	10017	Tool Tray Support Spindle
-	10017	Tool Tray Support Assembly

**NOTE:** Call for the availability of obsolete parts. Many are still in inventory.

As of: March 25, 2004