

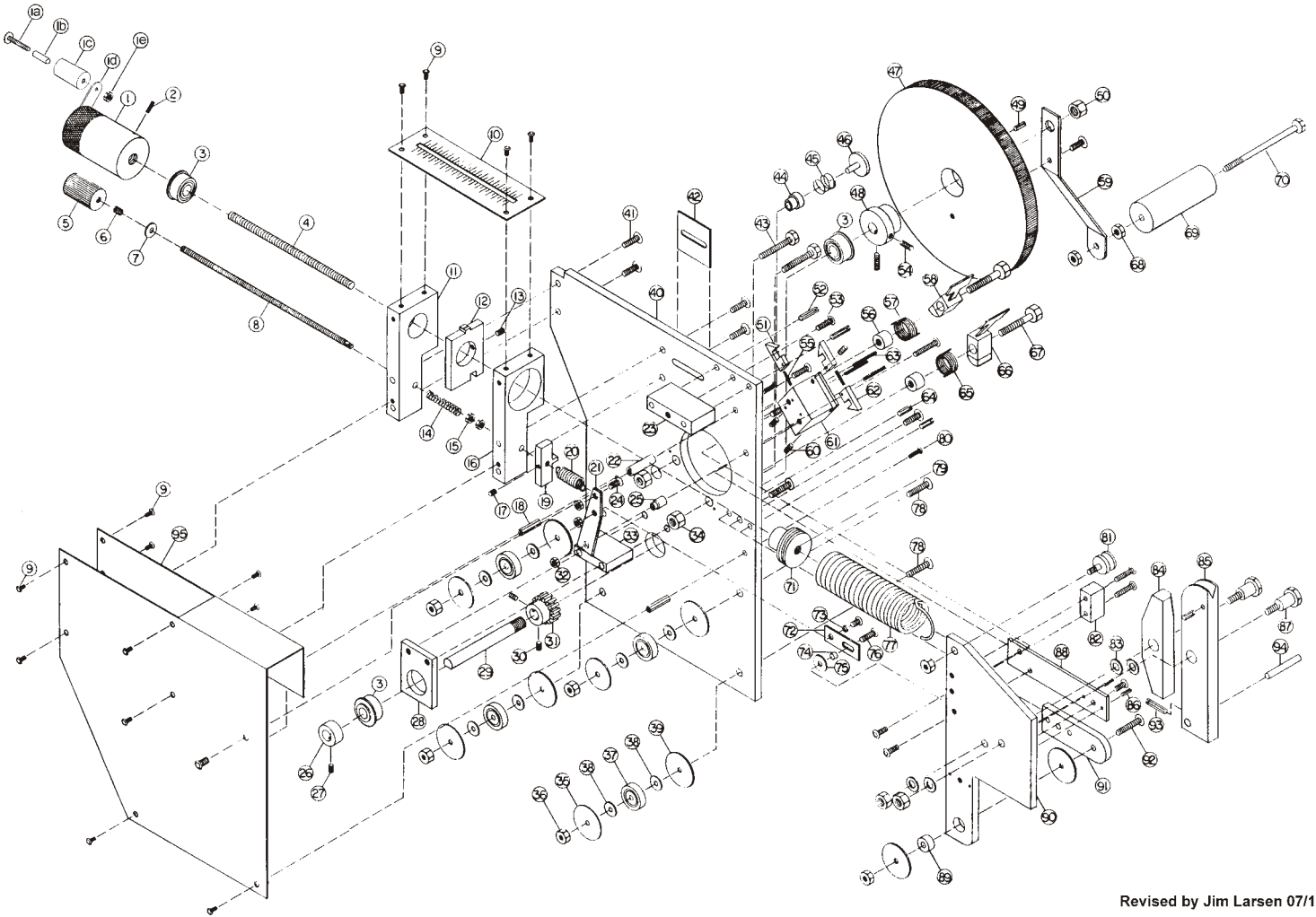
True-Tension Stringing Machine

Tensioning Assembly

Part Number 20120

- Exploded View -

Tensioning Assembly Parts List



Revised by Jim Larsen 07/17/04

ID: P/N: Item Description:

- 1 20401 Tension Adjustment Knob
- 20412 Speed Crank Assembly for Tension Adjustment Knob
- 1a - Screw, Button Head
- 1b 20410 Spacer, Speed Crank
- 1c 20409 Handle, Speed Crank
- 1d 20408 Speed Crank
- 1e 61006 Nut, Speed Crank
- 2 60024 Socket Set Screw
- 3 66001 Bearing, Thrust
- 4 20404 Main Lead Screw
- 5 20204 Pre-Stretch Adjust Knob
- 6 65001 Heli-coil
- 7 62001 Washer, Flat
- 8 20205 Pre-Stretch Lead Screw
- 9 60000 Screw, 6-32x1/4 BHCS

ID:	P/N:	Item Description
10	20400	Main Scale
11	20405	Bracket, Main Spring Support
12	20407	Main Scale Indicator
13	-	Socket Set Screw, 10-32 x 1/4 Dog Point
14	20211	Pre-Stretch Return Spring
15	61000	Nut, Hex
16	20406	Main Spring Bracket
17	OB	Obsolete Part
18	63000	Spacer
19	20203	Pre-Stretch Indicator
20	20206	Pre-Stretch Spring
21	20202	Pre-Stretch Lever
22	20210	Pre-Stretch Stop
23	20501	Long Stop
24	60002	Screw, Button Head, 10-32x3/8 BHCS
25	20214	Spacer, Lever Arm
26	66000	Shaft Collar, Set Screw Type
27	60029	Socket Set Screw, 1/4-20x3/16, Cup Point
28	20310	Axle Support
29	20304	Wheel Axle
30	-	Socket Set Screw, 10-32x1/4, Cup Point
31	20312	Pinion Gear
32	61006	Nut, Hex
33	20309	Bracket, Axle Support
34	61005	Nut, Hex
35	62003	Washer, Fender
36	61003	Nut, Hex
37	66002	Bearing
38	20504	Shim
39	62003	Washer, Fender
40	20500	Tension Plate
41	60006	Screw, 1/4-20x1 BHCS
42	20200	Pre-Stretch Scale
43	60009	Bolt, Hex Head
44	20320	Drag Brake Bushing
45	20322	Drag Brake Spring
46	20319	Drag Brake
47	20300	Control Wheel
48	20301	Wheel Hub
49	64003	Spring Pin
50	61002	Nut, Hex
51	20102	Brake Pawl, Long
52	64002	Spring Pin
53	60004	Screw, 10-32x7/8 BHCS
54	60018	Set Screw, 1/4-28x1/2 Cup Point
55	20111	Pawl Block Spring
56	20114	Brake Spacer
57	20107	Brake Spring, Right
58	20104	Brake Assembly
59	20302	Crank, Tensioning
60	60020	Socket Set Screw, 10-32x7/16 Dog Point
61	20100	Pawl Block
62	20103	Brake Pawl, Short
63	64005	Spring Pin
64	64004	Spring Pin
65	20108	Brake Spring, Left
66	20104	Brake Assembly
67	60008	Bolt, Hex Head
68	61001	Nut, Hex Jam
69	20303	Crank Handle
70	60013	Bolt, Hex Head

ID:	P/N:	Item Description
71	20403	Main Spring Calibrator
72	20201	Pre-Stretch Link
73	20213	Link Spacer
74	20213	Link Spacer
75	62001	Washer
76	60003	Screw, 10-32x1/2 BHCS
77	20402	Main Spring
78	60006	Screw, 1/4-20x1 BHCS
79	65002	Heli-coil, Main Spring Calibrator
80	60001	Screw, 6-32x1/2 BHCS
81	20003	Spring Post
82	20020	Short Stop
83	62006	Washer for Short and Long Jaws
84	20002	Jaw, Short
85	20001	Jaw, Long
86	64001	Spring Pin
87	20007	Bolt, Hex Head Shoulder
88	20101	Pawl Block Bracket
89	20019	Spacer, Rail Pivot Bushing
90	20000	Plate, Pulling Clamp
91	20005	Plate, Pivot Support
92	60006	Screw, 1/4-20x1 BHCS
93	64000	Spring Pin
94	64006	Spring Pin for Long Jaw
95	20506	Tensioning Assembly Cover